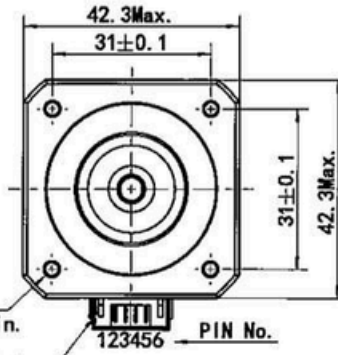
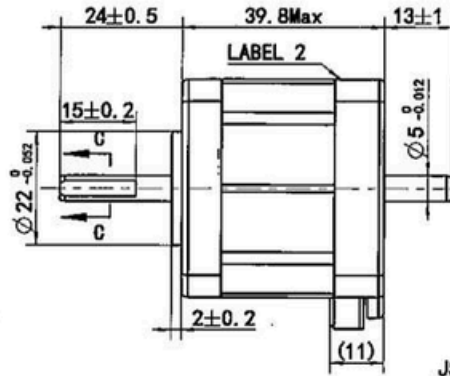
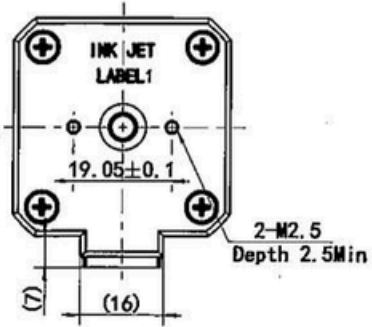
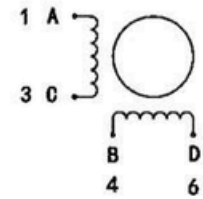


MS17HD2P4200-M



Wiring Diagram



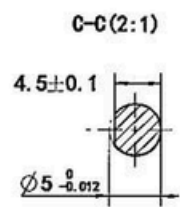
JST S6B-PH-K-S (LF) (SN)
or MOLEX 89401-0610

Exciting Sequence vs. Direction of Rotation

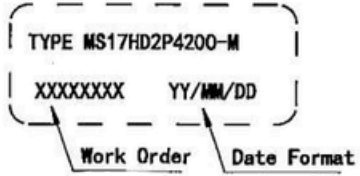
STEP	A	B	C	D	CCW
1	+	+	-	-	↑
2	-	+	+	-	
3	-	-	+	+	
4	+	-	-	+	

Clockwise view from mounting side

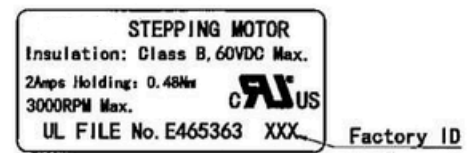
1. Number of Phase	2
2. Step Angle	1.8°
3. Rated Voltage	2.08 V DC
4. Rated Current	2 Amp
5. Holding Torque	0.48 Nm Typ. (Two phase on/rated current)
6. Phase Resistance	1.04 ohm ±10% (20°C)
7. Phase Inductance	2.2 mH ±20% (1kHz 1V rms)
8. Rotor Inertia	57 gcm ²
9. Motor Weight	0.28 kg
10. Insulation Class	B (130°C)



Label Detail1



Label Detail2



Unit:mm			Approve			<h1 style="text-align: center;">PIVEXIN</h1> <h2 style="text-align: center;">TECHNOLOGY</h2>			
First angle method			Standardize						
Tolerances for linear and angular dimensions without individual tolerance indications GB/T 1804-m eqv ISO 2768-1:m			Process Review						
Geometrical tolerance for features without individual tolerance indications GB/T 1184-K eqv ISO 2768-2:K			Check						
			Design						
A1	ECR:23-317;	2023.03.27	NAMES	SIGNATURE	DATE	Drawing No: 4611110027538	Rev. A1	SCALE: 1:1	Sheet 1 of 1
A0	Original revision	2017.09.19							
REV.	REVISION RECORD	DATE	UNLESS OTHERWISE SPECIFIED						